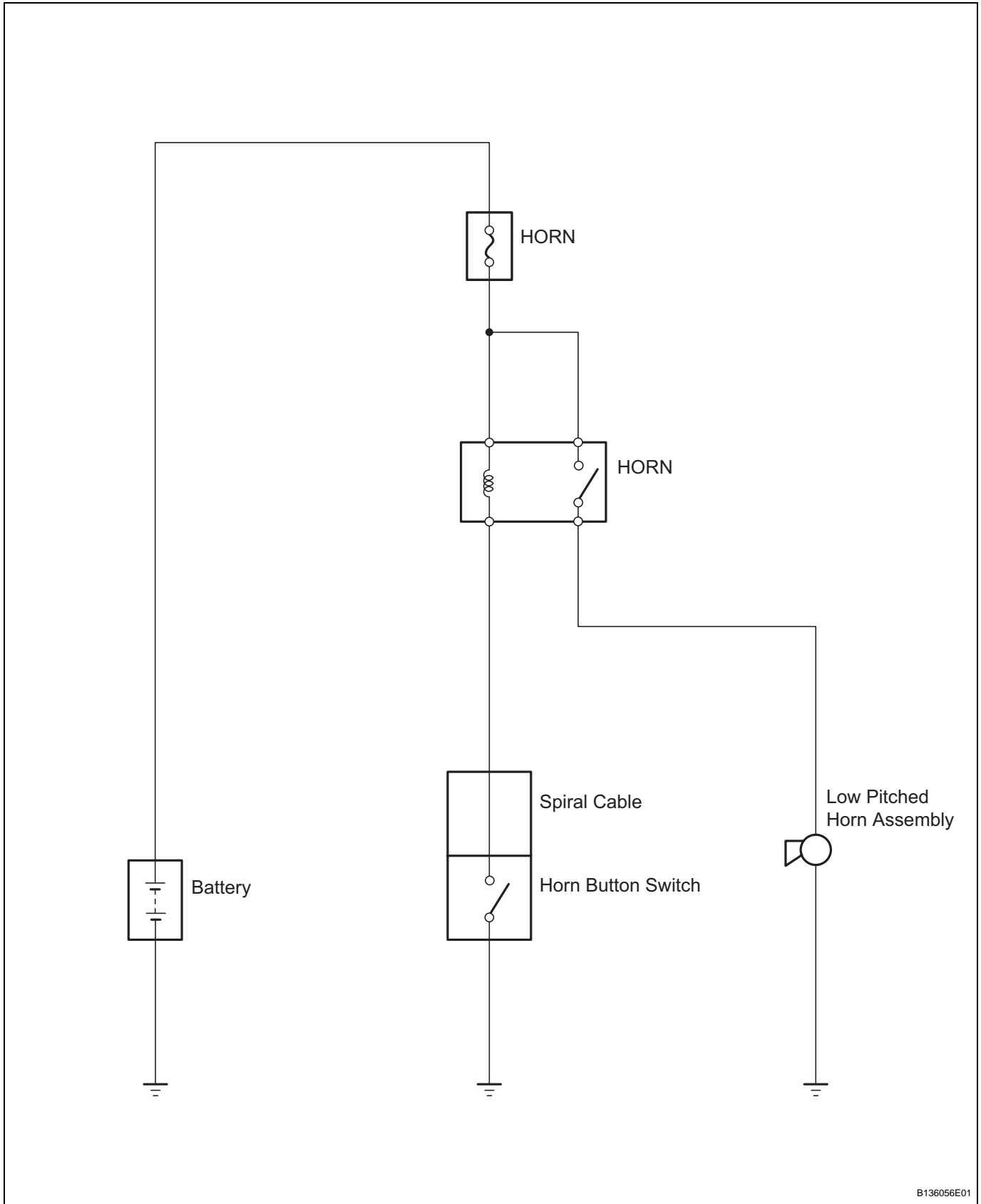


SYSTEM DIAGRAM



PROBLEM SYMPTOMS TABLE

HINT:

Use the table below to help determine the causes of the problem symptom. The potential causes of the symptoms are listed in order of probability in the "Suspected Area" column of the table. Check each symptom by checking the suspected areas in the order they are listed. Replace parts as necessary.

Horn system

Symptom	Suspected area	See page
Horn does not sound	HORN fuse	HO-2
	HORN relay	HO-7
	Low pitched horn assembly	HO-10
	Horn pad (Horn switch)	RS-346
	Wire harness	-